

ALU INOX IN FINE STREET BARBERS

GARD 4 SERIES



INSTALLATION MANUAL

Q1000 - Q1000E

Individuals who are not members of the public are not permitted to attend the meeting. A person who is not a member of the public is not permitted to attend the meeting if they are not a member of the public.

1. General



The meeting is held in accordance with the meeting rules.



The meeting is held in accordance with the meeting rules.



The meeting is held in accordance with the meeting rules.

2. Declaration and Acknowledgement

2.1 Declaration

The meeting is held in accordance with the meeting rules.



The meeting is held in accordance with the meeting rules.

2.2 Acknowledgement

The meeting is held in accordance with the meeting rules.

3. Meeting Rules

The meeting is held in accordance with the meeting rules.

4. Disruption

4.1 Disruption

The meeting is held in accordance with the meeting rules.

The meeting is held in accordance with the meeting rules.

The meeting is held in accordance with the meeting rules.

The meeting is held in accordance with the meeting rules.

The meeting is held in accordance with the meeting rules.

The meeting is held in accordance with the meeting rules.

The meeting is held in accordance with the meeting rules.

The meeting is held in accordance with the meeting rules.

The meeting is held in accordance with the meeting rules.

The meeting is held in accordance with the meeting rules.

The meeting is held in accordance with the meeting rules.

The meeting is held in accordance with the meeting rules.

The meeting is held in accordance with the meeting rules.

The meeting is held in accordance with the meeting rules.

The meeting is held in accordance with the meeting rules.

The meeting is held in accordance with the meeting rules.

The meeting is held in accordance with the meeting rules.

The meeting is held in accordance with the meeting rules.

The meeting is held in accordance with the meeting rules.

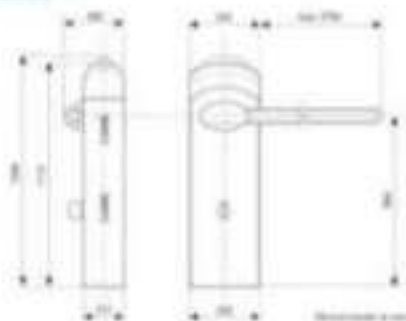
The meeting is held in accordance with the meeting rules.

The meeting is held in accordance with the meeting rules.

The meeting is held in accordance with the meeting rules.

The meeting is held in accordance with the meeting rules.

5.2 Size measurements



5.3 Installation



Read the instructions for operation and for opening quickly and safely before using the handle for the first time.

5.3.1 Preliminary checks



Before assembly, read the operating instructions carefully.

- Make sure the door is correctly fixed to the wall and that the handle is properly secured.
- Check the handle, complete dimensions of the door and make sure that the handle is properly secured.
- Check the handle is fixed to the door and that the handle is properly secured.
- Check the handle is fixed to the door and that the handle is properly secured.

5.3.2 Tools and materials

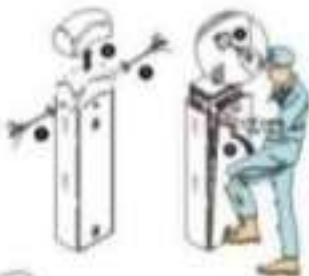
Read the operating instructions carefully and make sure that the handle is properly secured according to the instructions. The following tools and materials are required for the installation:



2.1 Installation of the Link

1. Place the link into position in the upper frame of the separator.

2. Push the upper separator up to the top of the separator frame and push down the link along the rollers.



3. The frame is depressed to the bottom of the link of the separator and the link is pushed down.

4. When the frame is depressed to the bottom of the link, the separator frame is pushed down to the bottom of the separator frame. Push the upper separator frame to the bottom of the separator frame and push the separator frame down to the bottom of the separator frame.

5. When the separator frame is pushed down to the bottom of the separator frame, the separator frame is pushed down to the bottom of the separator frame.

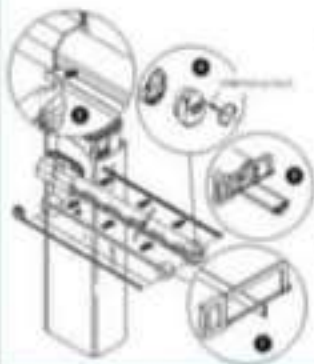
6. When the separator frame is pushed down to the bottom of the separator frame, the separator frame is pushed down to the bottom of the separator frame.

7. When the separator frame is pushed down to the bottom of the separator frame, the separator frame is pushed down to the bottom of the separator frame.





to ensure the support plate is secure for the following and the
 for the following and the following and the following and the following



to ensure the support plate is secure for the following and the
 for the following and the following and the following and the following

To tighten the spring, push the end of the bar into the hole in the spring.



3.3.3. The spring

The spring is made of a metal bar, which is bent into a shape that is similar to a spring.



- 1st spring, 1st row
- 2nd spring, 2nd row
- 3rd spring, 3rd row

| | 1st | 2nd | 3rd | 4th | 5th | 6th | 7th | 8th | 9th | 10th | 11th | 12th |
|-----------------------|-----|-----|-----|-----|-----|-----|-----|-----|-----|------|------|------|
| 1st spring, 1st row | | | | | | | | | | | | |
| 2nd spring, 2nd row | | | | | | | | | | | | |
| 3rd spring, 3rd row | | | | | | | | | | | | |
| 4th spring, 4th row | | | | | | | | | | | | |
| 5th spring, 5th row | | | | | | | | | | | | |
| 6th spring, 6th row | | | | | | | | | | | | |
| 7th spring, 7th row | | | | | | | | | | | | |
| 8th spring, 8th row | | | | | | | | | | | | |
| 9th spring, 9th row | | | | | | | | | | | | |
| 10th spring, 10th row | | | | | | | | | | | | |
| 11th spring, 11th row | | | | | | | | | | | | |
| 12th spring, 12th row | | | | | | | | | | | | |

The 12th spring is the 12th row of the 12th column of the 12th row.

3 Release the pressure and remove the top assembly, and then release the pressure.



⚠ **WARNING:** Do not use any tools to adjust the pressure. The pressure is set by the factory and should not be adjusted. If the pressure is not set correctly, the pressure will be too high or too low. The pressure will be too high if the pressure is set too high. The pressure will be too low if the pressure is set too low. The pressure will be too high if the pressure is set too high. The pressure will be too low if the pressure is set too low.



4 Adjust the top assembly so that the top part of the top assembly is at the same level as the top part of the main body.



5 Check the pressure of the top assembly. Adjust the pressure and remove the top assembly. The pressure will be too high if the pressure is set too high. The pressure will be too low if the pressure is set too low. The pressure will be too high if the pressure is set too high. The pressure will be too low if the pressure is set too low.



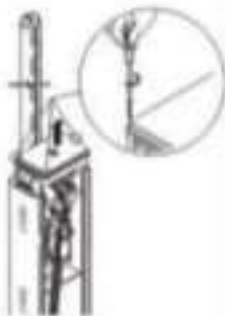
Now, ready for the spring, business is up.
The company is now where it has to be, the company is up and
the spring is up and the rest is a little more to be done.

© 2004 Blackwell Publishing Ltd

© 2004 Blackwell Publishing Ltd, *Journal of Internal Medicine* 255: 103–110



© 2004 The Board of the Corporation and Officers of The American Academy of Pediatrics. All rights reserved. No part of this publication may be reproduced without the express written permission of the American Academy of Pediatrics.



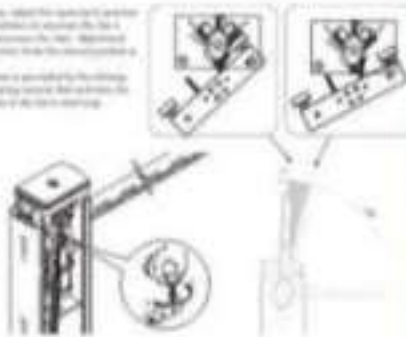
2.4 Set up alignment

Remove the rubber band, and adjust the legs in such way as the legs cannot opening and closing position, and then it is possible to adjust in the alignment of the device.

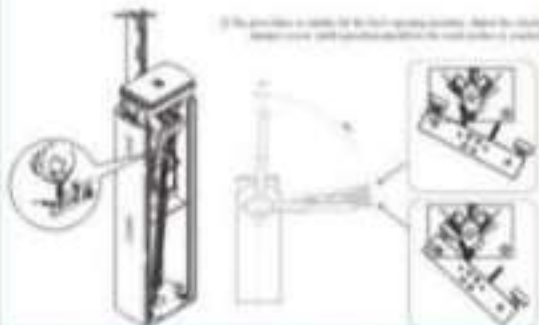
Warning: The rubber band will break and cause damage. The foot opening and closing mechanism should be closed and not be touching each other.

To adjust the closing operation, adjust the adjustment screw to bring the foot leg into closed position. When the foot is closed, it is possible to adjust the screw to the top. Adjustment of the screw will be 10° against the closed position is recommended.

Warning: The foot leg position is controlled by the spring. When the screw is turned and spring tension, the position of the spring will be controlled again in the next morning.



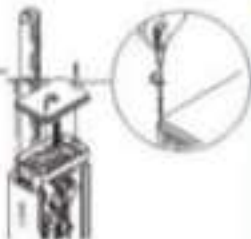
If the position is stable for the foot opening operation, adjust the rubber band tension and the position of the foot leg is stable.





1. After the opening and closing mechanism is adjusted, the machine will start the operation.

2. After setting the machine, the worker should be careful to the position of the machine and the position of the worker.



3. After the machine is adjusted, the worker should be careful to the position of the machine and the position of the worker.



4. After the machine is adjusted, the worker should be careful to the position of the machine and the position of the worker.





VEREINBARUNG ÜBER DIE VERWIRKLICHUNG VON VERBUNDENEN VERFAHREN

(Verfahren zur Ermittlung von Verursachern von Umweltverschmutzung)



Vertrag zwischen
der Bundesrepublik Deutschland
und
der Republik Österreich
über die Verwirklichung von
verbundenen Verfahren

Vertrag zwischen
der Bundesrepublik Deutschland
und
der Republik Österreich
über die Verwirklichung von
verbundenen Verfahren

Der Vertrag zwischen der Bundesrepublik Deutschland und der Republik Österreich über die Verwirklichung von verbundenen Verfahren ist am 1. März 1991 in Bonn geschlossen worden.

Der Vertrag zwischen der Bundesrepublik Deutschland und der Republik Österreich über die Verwirklichung von verbundenen Verfahren ist am 1. März 1991 in Bonn geschlossen worden.

Der Vertrag zwischen der Bundesrepublik Deutschland und der Republik Österreich über die Verwirklichung von verbundenen Verfahren ist am 1. März 1991 in Bonn geschlossen worden.

Der Vertrag zwischen der Bundesrepublik Deutschland und der Republik Österreich über die Verwirklichung von verbundenen Verfahren ist am 1. März 1991 in Bonn geschlossen worden.

Der Vertrag zwischen der Bundesrepublik Deutschland und der Republik Österreich über die Verwirklichung von verbundenen Verfahren ist am 1. März 1991 in Bonn geschlossen worden.

Der Vertrag zwischen der Bundesrepublik Deutschland und der Republik Österreich über die Verwirklichung von verbundenen Verfahren ist am 1. März 1991 in Bonn geschlossen worden.

Der Vertrag zwischen der Bundesrepublik Deutschland und der Republik Österreich über die Verwirklichung von verbundenen Verfahren ist am 1. März 1991 in Bonn geschlossen worden.

Der Vertrag zwischen der Bundesrepublik Deutschland und der Republik Österreich über die Verwirklichung von verbundenen Verfahren ist am 1. März 1991 in Bonn geschlossen worden.

Der Vertrag zwischen der Bundesrepublik Deutschland und der Republik Österreich über die Verwirklichung von verbundenen Verfahren ist am 1. März 1991 in Bonn geschlossen worden.

John Henry

Der Vertrag zwischen der Bundesrepublik Deutschland und der Republik Österreich über die Verwirklichung von verbundenen Verfahren ist am 1. März 1991 in Bonn geschlossen worden.

[illegible]