

**EC DECLARATION OF CONFORMITY FOR MACHINES**  
**(DIRECTIVE 2006/42/EC)**

**Manufacturer:** [Name]  
**Address:** [Address]  
**Product:** [Product Name]

---

I, the undersigned, declare that the above-mentioned product is in conformity with the requirements of the following standards:  
 EN 12487-1:2003  
 EN 12487-2:2003  
 EN 12487-3:2003

and that it complies with the essential requirements of the relevant provisions of the Directive 2006/42/EC and the corresponding provisions of the relevant harmonized standards.

**Signature of the Manufacturer:** \_\_\_\_\_  
 \_\_\_\_\_  
 \_\_\_\_\_

**WARNINGS FOR THE INSTALLER**

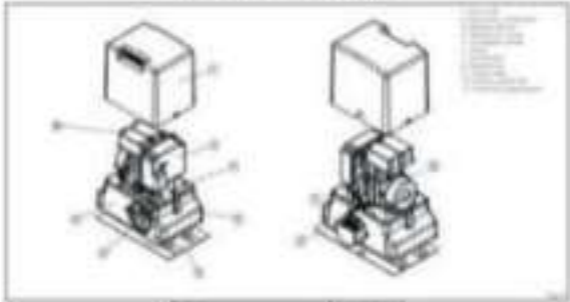
**GENERAL SAFETY INSTRUCTIONS**

1. Read the instructions carefully before using the product. Do not use the product if you are not qualified to do so.
2. Do not use the product if you are under the influence of alcohol or drugs.
3. Do not use the product if you are tired or if you have not had enough sleep.
4. Do not use the product if you are wearing jewelry or loose clothing.
5. Do not use the product if you are wearing safety glasses or other eye protection.
6. Do not use the product if you are wearing a watch, bracelet, or other accessories.
7. Do not use the product if you are wearing a hat or other headgear.
8. Do not use the product if you are wearing shoes that are not suitable for the work.
9. Do not use the product if you are wearing gloves that are not suitable for the work.
10. Do not use the product if you are wearing a belt or other accessories.
11. Do not use the product if you are wearing a scarf or other accessories.
12. Do not use the product if you are wearing a tie or other accessories.
13. Do not use the product if you are wearing a coat or other accessories.
14. Do not use the product if you are wearing a jacket or other accessories.
15. Do not use the product if you are wearing a sweater or other accessories.
16. Do not use the product if you are wearing a shirt or other accessories.
17. Do not use the product if you are wearing a blouse or other accessories.
18. Do not use the product if you are wearing a dress or other accessories.
19. Do not use the product if you are wearing a skirt or other accessories.
20. Do not use the product if you are wearing a pair of pants or other accessories.

# AUTOMATED SYSTEM 740-24V

1. Description and technical specifications  
 2. Dimensions  
 3. Assembly and operation instructions  
 4. Maintenance instructions  
 5. Safety instructions  
 6. Spare parts list  
 7. Declaration of CE marking

## 1. DESCRIPTION AND TECHNICAL SPECIFICATIONS



Part No.	Description	Quantity
1	Motor	1
2	Drive shaft	1
3	Gear	1
4	Bracket	1
5	Roller	2
6	Roller	2
7	Roller	2
8	Roller	2
9	Roller	2
10	Roller	2
11	Roller	2
12	Roller	2
13	Roller	2
14	Roller	2
15	Roller	2
16	Roller	2
17	Roller	2
18	Roller	2
19	Roller	2
20	Roller	2
21	Roller	2
22	Roller	2
23	Roller	2
24	Roller	2
25	Roller	2
26	Roller	2
27	Roller	2
28	Roller	2
29	Roller	2
30	Roller	2
31	Roller	2
32	Roller	2
33	Roller	2
34	Roller	2
35	Roller	2
36	Roller	2
37	Roller	2
38	Roller	2
39	Roller	2
40	Roller	2
41	Roller	2
42	Roller	2
43	Roller	2
44	Roller	2
45	Roller	2
46	Roller	2
47	Roller	2
48	Roller	2
49	Roller	2
50	Roller	2
51	Roller	2
52	Roller	2
53	Roller	2
54	Roller	2
55	Roller	2
56	Roller	2
57	Roller	2
58	Roller	2
59	Roller	2
60	Roller	2
61	Roller	2
62	Roller	2
63	Roller	2
64	Roller	2
65	Roller	2
66	Roller	2
67	Roller	2
68	Roller	2
69	Roller	2
70	Roller	2
71	Roller	2
72	Roller	2
73	Roller	2
74	Roller	2
75	Roller	2
76	Roller	2
77	Roller	2
78	Roller	2
79	Roller	2
80	Roller	2
81	Roller	2
82	Roller	2
83	Roller	2
84	Roller	2
85	Roller	2
86	Roller	2
87	Roller	2
88	Roller	2
89	Roller	2
90	Roller	2
91	Roller	2
92	Roller	2
93	Roller	2
94	Roller	2
95	Roller	2
96	Roller	2
97	Roller	2
98	Roller	2
99	Roller	2
100	Roller	2

## 2. DIMENSIONS







1.1

1.1.1

1.1.2

1.1.3

1.1.4

1.1.5

1.1.6

1.1.7

1.1.8

1.1.9

1.1.10

1.1.11

1.1.12

1.1.13

1.1.14

1.1.15

1.1.16

1.1.17

1.1.18

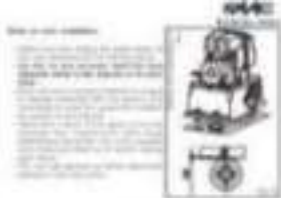
1.1.19

1.1.20

1.1.21

1.1.22

1.1.23



1.2

1.2.1

1.2.2

1.2.3

1.2.4

1.2.5

1.2.6

1.2.7

1.2.8

1.2.9

1.2.10

1.2.11

1.2.12

1.2.13

1.2.14

1.2.15

1.2.16

1.2.17

1.2.18

1.2.19

1.2.20

1.2.21

1.2.22

1.2.23

1.2.24

1.2.25



1.5

1.5.1

1.5.2

1.5.3

1.5.4

1.5.5

1.5.6

1.5.7

1.5.8

1.5.9

1.5.10

1.5.11



1.6



